



PORTOS TR7

spółka z ograniczoną odpowiedzialnością
ul. Złota 71, 62 - 800 Kalisz
tel. 62 / 768 40 00
sekretariat@portosrolety.pl
www.portosrolety.pl

USER MANUAL OF THE

PP

MOTOR

The CE mark, consisting of the letters 'C' and 'E' in a stylized font, indicating compliance with European standards.

Technical data:

Power supply:

230V 50Hz

Operating temperature:

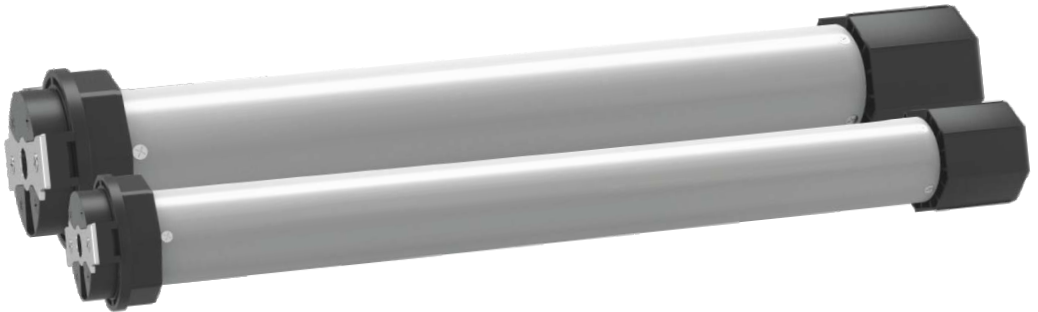
from -10 °C to +50 °C

Length of the motor cable:

2 m

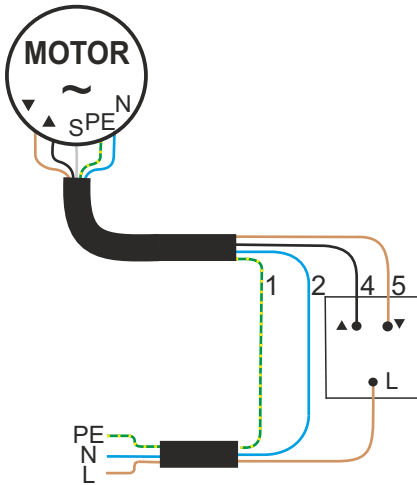
Number of wires in a cable:

4



PORTOS PP motor is a radio-controlled drive equipped with electronic end limits and with obstacle detection, capable of self-adjusting its end limits. Proper operation of the motor requires blockade hooks and side caps/buffers in the bottom slat.

1. CONNECTION SCHEME:

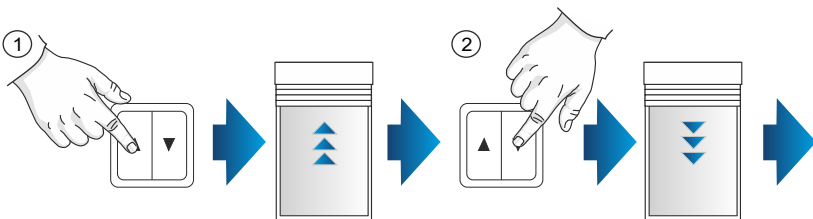


- 1 = PE - Protective Earth) wire (yellow- green)
- 2 = N - neutral wire (blue)
- 3 = UP (black)
- 4 = DOWN (brown)

- The PE (green-yellow) and N (blue) wires shall be properly connected to the grid PE and N wires.
- The brown and black wires are responsible for the roller shutter movement direction and shall be connected to the roller shutter direction control buttons.

2. AUTOMATIC SETUP OF END LIMITS.

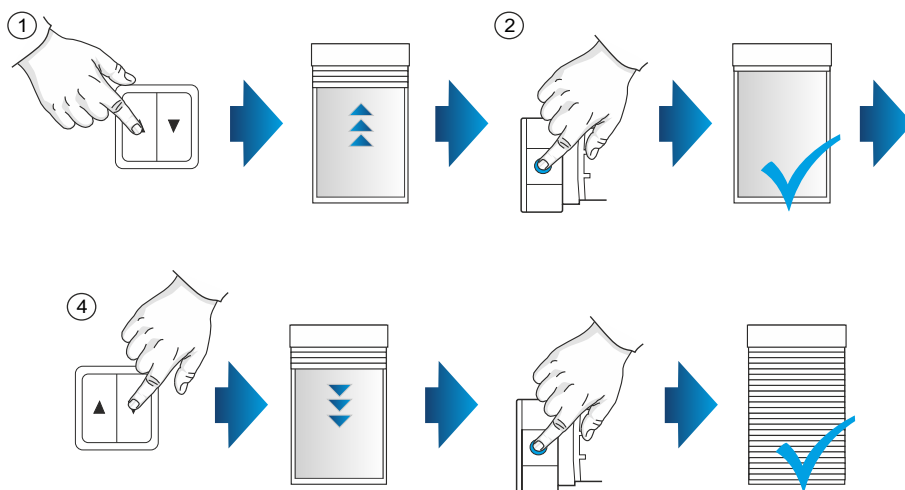
The PP motor has a factory-set automatic programming mode for the movement end limits. Thus, the end limits do not require any manual setting. Movement limits are automatically stored in memory during the first three complete up-and-down cycles of the normal operation of the motor.



3. MANUAL SETUP OF END LIMITS.

!!! Note! - If the end limits have already been automatically stored in the memory of the drive, the drive has to be reset and then, the user can configure the settings manually.

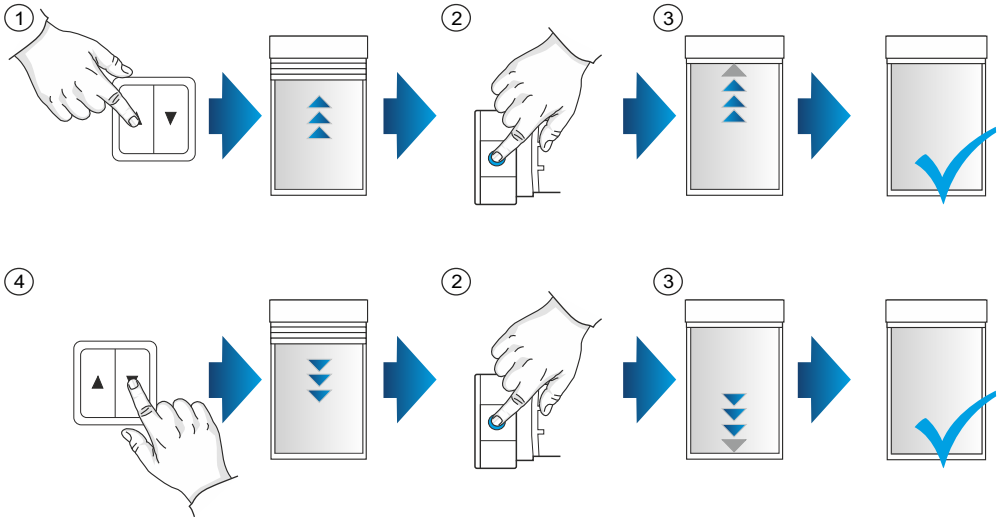
1. Start the roller shutter movement towards the desired end position.
2. Move the roller shutter to the position you want to set as the end limit, and while continuing to hold the direction control button, press the service button on the motor. .
3. Repeat the procedure for the other end limit.



4. ADJUSTMENT OF END LIMITS.

!!! Note! - End limits can be adjusted if they have been earlier set manually, this concerns a situation, in which the user wants to move the roller shutter beyond the previously set end limit position

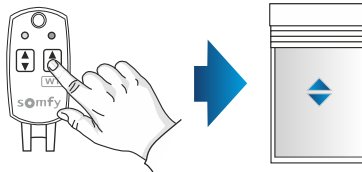
1. Move the roller shutter in the direction which the user wants to adjust.
2. Move the roller shutter to the end limit and while continuing to hold the direction control button, press the service button on the motor.
3. Keep the service button pressed until the desired end position is reached (do not move the roller shutter back if it has gone too far), then release the service button – the end limit position will be set.
4. Repeat the procedure for the other end limit.



5. RESET OF THE DRIVE

From Somfy Configurator level:

1. Press the WT button and hold it for 12 seconds.
2. The motor will confirm the operation with two short UP/DOWN movements.
3. Wait for about 10 seconds until the motor's memory is erased. During this time, the drive will not respond to any commands.



12 seconds

x2



**WARNING – FOR THE SAFETY OF PEOPLE,
IT IS IMPORTANT TO FOLLOW THIS USER MANUAL.
KEEP THIS MANUAL AT ALL TIMES.**



PORTOS TR7

spółka z ograniczoną odpowiedzialnością

ul. Złota 71

62-800 Kalisz

tel 62 768 40 11

E-mail: sekretariat@portosrolety.pl

www.portosrolety.pl